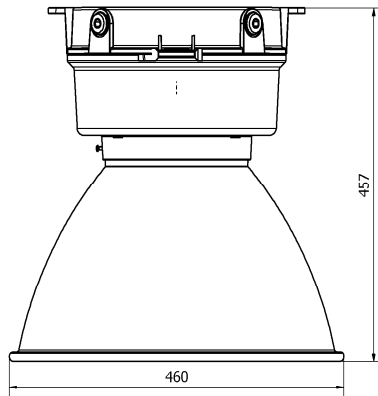


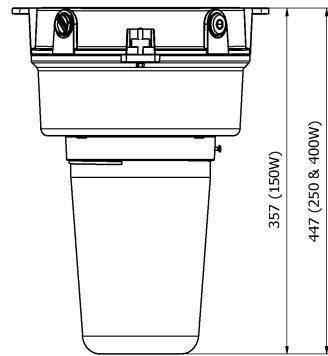
Eclipse II - Wellglass Luminaires (Ex n) ATEX & IECEx

INSTALLATION, OPERATION AND MAINTENANCE INSTRUCTIONS

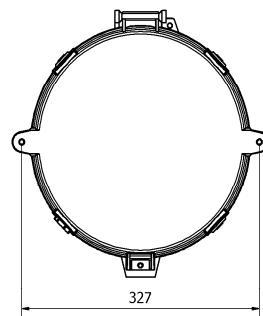
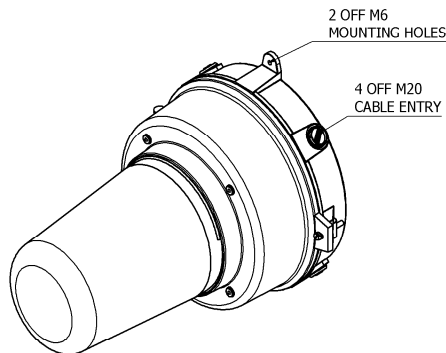
Important: Please read these instructions carefully before installing or maintaining this equipment. Good electrical practices should be followed at all times and this data should be used as a guide only.




CEILING MOUNT WITH ENCLOSED REFLECTOR



CEILING MOUNT





0.0 Specification	
Type Of Protection	Ex nA, nR, nC (non-sparking, restricted breathing, enclosed break).
Protection Standards	IEC 60079-0, (IEC) EN 60079-15, (IEC) EN 60079-31.
Area Classification	Zone 2 areas to (IEC) EN 60079-10-1, Zone 22 areas to(IEC) EN 60079-10-2.
Installation	EN 60079-14
Certificate	IECEX Certificate of Conformity IECEX BAS05.0053X Type Examination Certificate Baseefa04ATEX0393X
	Ex nA nR IIC T* Ta* Gc Ex nA nR nC IIC T* Ta* Gc Ex tc IIIC T*°C Ta* Dc IP66 (T and T amb values see table 1 for details)
ATEX Coding	Ⓜ II 3GD
Ingress Protection	IP66 to EN 60529
CE Mark	 <p>The CE marking of this product applies to "The Electrical Equipment (Safety) Regulations 2006", "The Electromagnetic Compatibility Regulations 2004", the "Waste Electrical and Electronic Equipment Regulations 2006" and the "Equipment and Protective Systems intended for use in Explosive Atmospheres Regulations 1996". [This legislation is the equivalent in UK law of EU directives 2014/35/EU, 2014/30/EU, 2012/19/EU and 2014/34/EU respectively].</p> <p>The Equipment is declared to meet the provisions of the ATEX directive (2014/34/EU) by reason of the Type Examination and compliance with the Essential Health and Safety Requirements. M Poutney Technical Manager</p>

SPECIAL CONDITIONS FOR SAFE USE

- 1.The wellglasses form a restricted breathing enclosure when fitted in accordance with the manufacture's instructions. Silicone grease shall be applied to the base of the wellglass or the silicone seal and hand tightened and then tightened a further 10 degrees.
- 2.The symmetrical refractor is suitable only for areas with a low risk of mechanical impact.
3. The entry holes shall be fitted with suitable cable glands or other suitable accessories such as breather/drains having an equipment certificate that maintain the IP66 Ingress Protection rating of the luminaire enclosure. These devices shall incorporate a suitable o-ring or sealing washer on the entry thread to maintain the IP66 rating.
4. Unused entry holes shall be fitted with suitable stopping plugs having an equipment certificate, or having a component certificate subject to the confirmation by the end user/installer of the ingress protection rating and the permitted service temperature of the component. The stopping plugs shall incorporate a suitable o-ring or sealing washer on the entry thread to maintain the IP66 rating.
5. The operating temperature range and ingress protection rating of the enclosure is limited to that of the devices/accessories fitted.

1.0 Introduction - ECLIPSE II Wellglass

This installation leaflet describes the Eclipse II range of (IEC) ATEX compliant Category 3 Zone 2 wellglass luminaires. The Eclipse II is manufactured from painted corrosion resistant aluminium alloy with a toughened glass Globe and silicone rubber gaskets. The integral control gear is contained within an IP66 enclosure and is classified as Ex nA, the lamp chamber is IP66 and is classified as Restricted Breathing Ex nR. The lamp socket may be E27 or E40 dependant on lamp type and power specified. Refer to the following tables for ratings and ambient limitations.

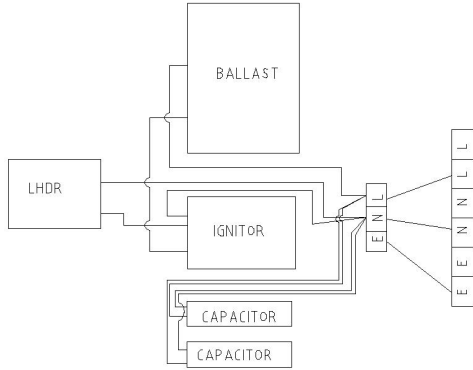
2.0 Application

The luminaire is designed to be safe in normal operation; type Ex n luminaires should not be operated in an ambient temperature in excess of the rated ambient even for a short period.

The luminaire should not be used in conditions where there are environmental, vibration or shock conditions above the normal for fixed installations.

The gaskets should not be exposed to hydrocarbons in liquid or high concentration vapour states.

The luminaire is suitable for applications where Category 3 apparatus is used. The application is for ignitable gas atmospheres and the presence of combustible dust. The ATEX type examination does not address suitability for portable applications.



TYPICAL WIRING ARRANGEMENT FOR HPS & MBI LAMPS.

Table 1
Lamp Ranges, Maximum Ambient and Temperature Ratings with **Globe** optics

Wattage	Lamp	Lamp Cap	Ambient Range °C		T* Rating	Max. Surface Temp. °C	Cable Rise °C	Weight kg	Enclosed Reflector			
			Min Ta	Max Ta					T Rating	Max Ta °C	Max Surface Temp °C	
50W	SON/T	E27	-30	+55	T4	110	30	7.5				
70W	SON/T, MBI/T											8.0
80W	MBF											
100W	SON/T, MBI/T	E40	-30	+55	T4	110	40	9.0	T3	+55	175	
125W	MBF	E27/E40	-20	+45	T3	135	40	8.0				
150W	SON/T, MBI/T	E40	-30	+55	T4	110	40	11.0	T3	+55	175	
250W	SON/T, MBI/T			+50	T4	130	35	15.0		+50		
400W	SON/T, MBI/T			+45	T3	160	50	16.0		+35		
250W	MBF		-20	+50	T3	135	40	15.0		+40	180	
400W	MBF			+35	T3	180	50	15.5				
400W No PFC	SON/T, MBI/T		-30	+40	T3	160	50	16.0		+40	175	

Lamp	Starting and Running Currents			Fuse Ratings Number of Lamps					
	Start A	Run A	PFC uF	1	2	3	4	5	6
50W HPS	0.35	0.28	10	4A	4A	4A	6A	6A	10A



70W HPS/MBI	0.55	0.4	10		4A	4A	4A	6A	6A	10A
80W MBF	0.5	0.43	8		4A	4A	4A	4A	6A	10A
100W HPS/MBI	1	0.56	10		4A	4A	6A	10A	10A	10A
125W MBF	1	0.66	10		4A	6A	6A	10A	10A	10A
150W HPS/MBI	1.2	0.75	15		4A	6A	10A	10A	16A	16A
250W HPS/MBI	2.35	1.35	30		10A	16A	16A	20A	20A	20A
250W MBF	2.35	1.35	20		10A	16A	16A	20A	20A	20A
400W HPS/MBI	4.4	2.2	40		16A	20A	20A	25A	25A	32A
400W MBF	4.4	2.2	25		16A	20A	20A	25A	25A	32A

Power factor ≥ 0.85

Terminals 6mm² as standard, looping has current limit of 16A.

Tamb Storage -40°C to +80°C

Storage Luminaires should be stored in cool dry conditions preventing ingress of moisture and condensation

Lamps Tubular lamps with an E27 or E40 cap in accordance with EN 60238

Fuse and MCB ratings Refer to table 2 for starting and running currents and fuse ratings. Also refer to section 3.3.1 for information regarding inrush current.

3.0 Installation and Safety

3.1 General

There are no health hazards associated with this product whilst in normal use. However, care should be exercised during the following operations. Installation should be carried out in accordance with BS EN60079-14 or the local hazardous area code of practice, whichever is appropriate.

The luminaires are Class 1 and should be effectively earthed.

Certification details on the rating plate must be verified against the application requirements before installation.

The information in this leaflet is correct at the time of publication. The company reserves the right to make specification changes as required.

3.1.1 Use in Combustible Dust Atmospheres

Where the equipment is used in ignitable dust atmospheres reference must be made to the selection and installation standards in order that the equipment is used correctly. In particular this applies to the de-rating of surface temperature for use where dust clouds may be present. Dust layers should not be allowed to accumulate on the fitting surface and good housekeeping is required for safe operation. As the build up of the dust layer can never be guaranteed not to occur. The temperature on the glass is the hottest point on the luminaire and any obstruction of the radiation from the luminaire would cause the surface temperature to increase. Dust in layers has the potential to form ignitable clouds and to burn at lower temperatures.

Refer to (IEC) EN 60079-10-2 and (IEC) EN60079-14 for additional details of selection, installation and maintenance.

3.1.2 Hybrid Mixtures – Gas and Dust

Where Hybrid mixtures exist as defined in EN1127-1 as a potentially explosive atmosphere, consideration should be given to verifying that the maximum surface temperature of the luminaire is below the ignition temperature of the hybrid mixture.

3.2 Tools

Strap wrench, 3mm and 5mm flat blade screwdriver.

Pliers, knife, wire strippers/cutters.

A spanner suitable for fitting cable glands.

3.3 Electrical Supplies

The supply voltage and frequency should be specified when ordering a maximum voltage variation of +6%/-6% on the nominal is expected. (The safety limit for T rating is +10%). Luminaires should not be operated continuously at more than +6%/-10% of the rated supply voltage of the control gear or tapping. The user must determine the **actual** underlying site supply and purchase or adjust accordingly. In some cases, the luminaires have multi-tapped control gear which can be set to a range of typical voltages. Note that ballasts are not dual frequency. The tappings are shown on the control gear and the limits are shown on the rating plate. If the equipment is located in high or low voltage sections of the system, an appropriate voltage tap should be selected to obtain the best lamp performance, but care must be taken to log or mark the equipment so that the tapping is re-set if the equipment is relocated. If in doubt, tappings should be set on the high side. 10V Max. drop is desirable for HPS and required for MBI. All circuits use S.I.P. (superimposed pulse) ignitors. This means that there are only two connections to the choke, so tap selection is obvious. Where supply conditions include significant harmonics, the PFC can be omitted.

Where shore or construction site supplies are used, which are different to the service location supplies, the tappings should be re-set. If not, advice on the effect of these temporary supplies should be sought from the Technical Department.

3.4 Fuse Ratings

The fuse ratings for HID lamp circuits need to take account of three components of circuit current. Current inrush to PFC capacitors which can be up to 25 x the rated capacitor current and last 1-2 milliseconds; lamp starting current including steady capacitor current which together may decline from up to 200% of normal at 10 seconds after switch-on to normal after 4 minutes; rectification effects caused by asymmetrical cathode heating for a few seconds after starting, this effect is random and very variable. With the availability of MCB's with a wide range of characteristics, the individual engineer can make a better judgement of what is required. Use MCB's suitable for inrush currents to reduce ratings. The inrush current can be calculated where circuit conditions are known. The nominal capacitor current will probably be the determining factor, 0.076A per μ F at 240V, 50Hz (adjust for other supply volts by multiplication, x 6/5 for 60Hz). For HBC fuses use 1.5 x normal capacitor current. All calculations must satisfy wiring regulations.

3.5 Lamps

The discharge lamps used are of a standardised type. There is no preference between make or colour. The Eclipse uses **tubular** HPS and HPS compatible MBI lamps and elliptical MBF lamps. Note that the use of diffuse elliptical lamps may affect photometric performance. Care must be taken to fit the correct new and replacement lamp in order to preserve the certification conditions and obtain the designed photometric performance. The lamp type is shown on the rating plate. **Lamps should be replaced shortly after they do not light.** One indication of the end of life for HPS lamps is 'cycling' where the lamp goes out then re-ignites after a minute or so interval. If discharge luminaires are burned continuously, they should be switched off occasionally to allow old lamps to fail to re-ignite, rather than possibly become diodes with detrimental effects to control gear.

The above information is current at the time of preparation. The development of lamps and control gear is ongoing and detailed advice on lamp performance can be obtained from the lamp supplier or from Chalmit.

Important: *HPS and MBI circuits should not be energised without a lamp fitted. HPS and MBI lamps with internal ignitors must not be used.*

3.6 Mounting

Luminaires should be installed where access for maintenance is practical and in accordance with any lighting design information provided for the installation. The luminaire is designed to operate at up to an angle of 25° from the vertically down position. Ceiling, wall, stanchion & pendant mount versions are available.

1. The wall mounting or ceiling mounting arrangements should be secured with lock washers or self-locking nuts and bolts.
2. The stanchion mounting version must be mounted so as to maintain the IP rating. When fixed using the 1½" NPT threads to a suitably threaded pole the IP66 rating will be achieved. However, if the base of the pole is open to the elements there is a risk of dirt or moisture gaining access. If this is a problem a suitable sealing arrangement should be fitted somewhere inside the pole, normally close to the top or bottom.
3. The threaded portion of the pendant mount version has an M25 thread. A suitable external sealing washer and locking nut should be fitted to ensure the conduit pipe cannot loosen or cause water ingress.



3.6.1 Fitting the Globe

Care must be taken when fitting the Globe, due to the lamp enclosure being classified as restricted breathing. The following steps must be taken:

- 1 Apply silicone grease to the threads of the Globe.
- 2 Rotate the Globe in the threaded collar until the Globe seals onto the gasket.
- 3 Rotate the Globe until tight; it may be necessary to use a strap wrench to perform this task.
- 4 Secure the Globe using the screw.

3.7 Cabling and Cable Glands

3.7.1 Cables

The cable entry temperatures are given as the rise over the maximum rated ambient temperature refer to Table 1. This allows the user to adjust the cable specification for actual site maximum temperature. The standard conductor section is 6mm² max. All models are suitable for looping except the 400W remote gear version. Standard 300/500V cable is suitable.

3.7.2 Cable Glands

Cable glands for entry into Ex enclosures when fitted with any gland to body sealing method and supply cable, must reliably maintain the IP rating of the enclosure. Nylon washers are provided with the unit to seal between the gland body and the luminaire. The cable glands must be suitable for Zone 2 applications, or the appropriate European Standard for industrial cable entries and cable entry devices. Plastic cable glands must have hazardous area component approval. Where brass cable glands are used nickel plating should be used. Sealing plugs for unused entries should be similarly rated and fitted.

Entries suitable for M20 cable glands are standard. Entries suitable for M25 are available to special order. Cable glands and sealing plugs must have (IEC) ATEX approval or be certified to (IEC) EN60079-0.

3.8 Cabling and Fitting Lamps

Access for cabling is by undoing the barrel nut using a flat blade screwdriver and rotating until free. Reselect the voltage tapplings if necessary. Install the conductors in the appropriate terminals. Take care not to cut back the insulation excessively, 1mm bare conductor outside the terminal is a maximum. Any unused terminal should be fully tightened.

When the cabling is complete make a final tightness and connection check. The cover is replaced and the screws tightened down.

Wall Mounted version has an access plate at rear to assist with routing the wires to main chamber for termination. The plate is secured by means of 4 screws, which should be tightened to a torque of 2 -2.5Nm, so that the gasket is compressed sufficiently to comply with ingress requirements.

Before fitting lamps or opening the luminaire, the luminaire must be de-energised and isolated from the supply.

The lamp is replaced by removing the Globe, pay close attention to *Section 3.5.1* when replacing the Globe. Lamps must be of the correct type and firmly screwed into place.

3.9 Inspection and Maintenance

Visual inspection should be carried out at a minimum of 12 monthly intervals and more frequently if conditions are severe. The time between lamp changes could be very infrequent and this is too long a period without inspection.

3.9.1 Routine Examination

The equipment must be de-energised before opening. Individual organisations will have their own procedures. What follows are guidelines based on *BS EN60079-17* and on our experience:

- 1 Ensure the lamp is lit when energised and that the glass globe is not damaged.
- 2 When de-energised and left to cool, there should be no significant sign of internal moisture. If there are signs of water ingress, the luminaire should be opened up, dried out, and any likely ingress points eliminated by re-gasketing.
- 3 Check the cable gland for tightness.
- 4 Check the tightness of the cover screws.
- 5 Clean the glass globe.

- 6 When re-lamping, check that the Globe gasket has not softened or become excessively deformed. If in doubt, replace (See *Section 3.9*).

3.9.2 Electrical Fault Finding and Replacement

The supply must be isolated before opening the luminaire.

In most instances, the faults are simple, namely loose or broken connections, unserviceable lamps or open circuit control gear. Any fault finding must be done by a competent electrician and, if carried out with the luminaire in place, under a permit to work. With HPS and MBI, the ignitor can become faulty. If the lamp is fitted, the choke has continuity and the connections are good and correct, they should produce an attempt to start effect in the lamp and a buzzing sound from the ignitor. It is good practice to have substitution parts available for fault finding. Before re-assembling, all connections should be checked and any damaged cable replaced. The ignition connection to the lampholder is sleeved with H.T. sleeving and this must be kept in place.

3.9.3 Thermal Protector

Thermal protectors are included. If the lamp goes on and off over a timescale of several minutes, this may be the thermal protector operating. The causes are defective lamps/diode effects, gross over voltage or the choke beginning to fail and this should be investigated directly.

3.10 Overhaul

The unit is largely made of materials that are very corrosion resistant. This allows the unit to be completely stripped, cleaned, and then re-built with new electrical parts as required. The internal wiring is 1.0mm² flexible, silicone rubber insulated. An H.T. sleeve is fitted to the ignitor cable. All the spares required are available. Please state the model number, lamp and optical details.

The seal at the end cover is held within a groove by silicone R.T.V. The Globe gasket is similarly held in place by RTV.

If the gaskets have deteriorated by softening or permanent set, new gaskets should be fitted, which can be obtained from Chalmit. To fit the gasket, the old gasket should be removed and remaining RTV scraped off. The gasket is fixed in place and joined with silicone R.T.V. to the body.

4.0 Disposal of Material

The unit is mostly made from incombustible materials. The capacitor is of the dry film type and does not contain PCB's. The control gear contains plastic parts and polyester resin. The ignitor contains electronic components and synthetic resins. All electrical components and the body parts may give off noxious fumes if incinerated. Take care to render these fumes harmless or avoid inhalation. Any local regulations concerning disposal must be complied with. Any disposal must satisfy the requirements of the WEEE directive [2012/19/EU] and therefore must not be treated as commercial waste. The unit is mainly made from incombustible materials. The control gear contains plastic, resin and electronic components. All electrical components may give off noxious fumes if incinerated.

5.0 Lamps

Discharge lamps in modest quantities are not "special waste". The outer envelope should be broken in a container to avoid possible injury from fragmentation Any local regulations concerning disposal must be complied with.



Important: Do not incinerate lamps.



To comply with the Waste Electrical and Electronic Equipment directive 2012/19/EU the apparatus cannot be classified as commercial waste and as such must be disposed of or recycled in such a manner as to reduce the environmental impact.



Chalmit Lighting is a leading supplier of Hazardous Area lighting products

	CHALMIT LIGHTING PO Box 5575 Glasgow, G52 9AP Scotland	
Telephone: +44 (0) 141 882 5555 Fax: +44 (0) 141 883 3704 Email: info@chalmit.com Web: www.chalmit.com	Registered No: 669157 Registered Office: Cannon Place 78 Cannon Street London EC4N 6AF UK	

For technical support, please contact: techsupport@chalmit.com

Note: Chalmit Lighting reserves the right to amend characteristics of our products and all data is for guidance only.



	EU-Declaration of conformity		
	UE-Déclaration de conformité		
	EU-Konformitätserklärung		
Manufacturer	Chalmit	Address	388 Hillington Road, Glasgow. G52 4BL Scotland UK
Product	Eclipse II Luminaire.		
Type Examination Certificate	Baseefa04ATEX0393X		
Notified Body	SGS Fimko OY 0598		
ATEX Coding	II 3 GD	ATEX Classification	Group II Category 3 GD
Equipment Coding	Ex nA nR (nC) IIC T* Ta - **C to -**C Gc Ex tc IIIC T**C Ta - **C to +**C Dc		
Ingress Protection	IP66		
The technical basis, with respect to equivalence of			
La base technique, en ce qui concerne l'équivalence de			
Die technische Grundlage hinsichtlich der Normen			
Protection Standards IEC60079-0, EN60079-15, EN 60079-31			
Area Classification EN 60079-10-1, EN 60079-10-2.			
of compliance with the EHSRs is valid as there are no changes which materially affect the state of technological progress of the product.			
en conformité avec les EESS est valide puisqu'il n'y a aucun changement qui affecte matériellement l'état de l'évolution technologique du produit.			
zur Erfüllung der GSGA ist gegeben, da keine Änderungen erfolgt sind, die einen Einfluss auf den technischen Stand des Produkts haben.			
Terms of the directive:		Standard & Date Certified to	Standards Date Declared to
Prescription de la directive:		Standard & date certifiée à	Normes date Déclaré
Bestimmungen der Richtlinie:		Standard & Datum Zertifiziert nach	Standards Datum erklärt
2014/34/EU	Equipment and protective systems intended for use in potentially explosive atmospheres.	IEC 60079-0: 2011 EN 60079-15: 2010	
2014/34/UE	Appareils et les systèmes de protection destinés à être utilisés en atmosphères potentiellement explosibles.	EN 60079-31: 2009	
2014/34/EU	Geräte und Schutzsysteme zur bestimmungsgemäßen Verwendung in explosionsfähigen Bereichen.		
2014/30/EU	Electromagnetic compatibility	EN 55015 : 2013	
2014/30/UE	Compatibilité électromagnétique	EN 61547 : 2009	
2014/30/EU	Elektromagnetische Verträglichkeit	EN 61000-3-2 : 2014	
2014/35/EU	Low voltage equipment	EN 60598-1 : 2015	
2014/35/UE	Équipements électriques à bas voltage	EN 60598-2-5 : 2015	
2014/35/EU	Niederspannungsgeräte / -systeme	EN 60529 : 1992	
2012/19/EU	Waste of electrical and electronic equipment		
2012/19/UE	Déchets d'équipements électriques et électroniques		
2012/19/EU	Entsorgung der elektrischen und elektronischen Geräte / Systeme		
2011/65/EU	RoHS II Directive		



On behalf of the Chalmit, I declare that, on the date the equipment accompanied by this declaration is placed on the market, the equipment conforms to all technical and regulatory requirements of the above listed directives.

En tant que représentant du fabricant Chalmit, je déclare qu'à la date où les équipements accompagnant cette déclaration sont mis sur le marché, ceux-ci sont conformes à toutes les dispositions réglementaires et techniques des directives énumérées ci-dessus.

Hiermit bestätige ich, im Namen von Chalmit, dass am Tag der Lieferung des Produkts/der Produkte zusammen mit dieser Erklärung das Gerät/die Geräte alle technischen und regulativen Anforderungen der oben aufgeführten Direktiven erfüllt.

Name and Date Mark Poutney 01/01/2021
Nom et Date
Name und Datum

Technical Manager
Directeur technique
Technischer Leiter

Quality Assurance Notification by: **SGS Fimko OY**
Notification d'assurance qualité par: **0598**
Qualitätssicherungsnotifikation durch:

Quality Management System Accreditation:
Système de Management Qualité Accréditation:
Qualitätsmanagementsystem Akkreditierung:
Environmental Management System.
Système de gestion de l'environnement.
Umwelt kontroll system.
Certificate No./Certificat N°/Zertifikat Nr.

ISO 9001
ISO 14001
by/par/durch
Lloyd's Register
LRQ 4005876